

Plunger Pumps

FEATURING

MANIFOLD: High strength forged brass for long term use.

BOLTS: Six 6mm grade 12.9.

PLUNGERS: A special thick solid ceramic for long life, strong durability and more resilience.

CRANKCASE: Precision die-cast, large cooling fins and anodized for maximum heat dissipation. Sight glass, fill and drain plugs.

BEARINGS: Oversized for maximum life and load disbursement, two ball bearings. Each bearing is held in position on the crankshaft and crankcase by snap rings. This assures positive alignment and centering of the connecting rods and crankshaft in relation to the crankcase, it also eliminates the crankshaft from floating.

VALVES, SEATS, AND SPRINGS: Stainless steel with specially designed Ultra Form material valve cages that are impervious to water absorption and provide long life and positive seating.

SEALS AND V-PACKINGS: Continuously lubricating for extended life.

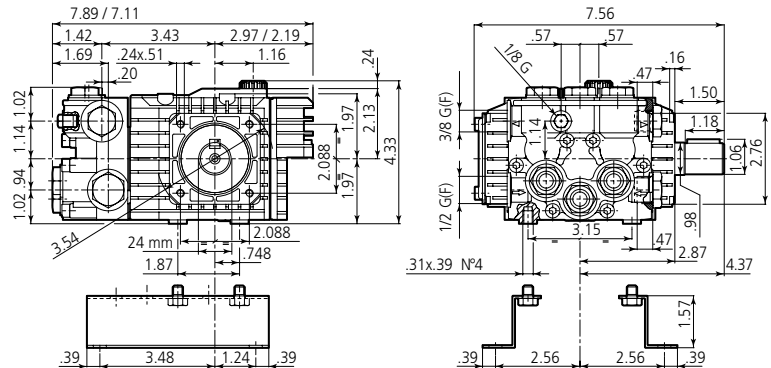
PLUNGER RODS: High strength stainless steel.

CONNECTING RODS: One piece special alloy aluminum based and bronze (+1800 PSI) oversized for maximum strength, load disbursement, and long life. Heavy pin area construction, for added load strength.

DIMENSIONS



XTV N version Solid shaft pump ø 24 mm



SPECIFICATIONS

MODEL	MAX GPM	MAX LMP	MAX PSI	MAX BAR	POWER EBHP	BORE DIA MM	STROKE MM	CRANKSHAFT ID STAMP	WEIGHT LBS.
XTV3G10N	3.0	11.4	1000	69	2.0	15	7.2	C	9
XTV3G16N	3.0	11.4	1600	110	3.0	15	7.2	C	10
XTV3G20N	3.0	11.4	2000	140	4.0	15	7.2	C	11
XTV3G22N	3.0	11.4	2200	150	4.5	15	7.2	C	11

PSI ≤ 1740 = Oil Capacity = 8 oz Maximum Fluid Temperature = 140°F
 PSI ≥ 1740 = Oil Capacity = 10 oz Maximum Fluid Temperature = 140°F

Inlet Thread = 1/2" F
 Inlet Thread = 1/2" F

Discharge Thread = 3/8" F
 Discharge Thread = 3/8" F

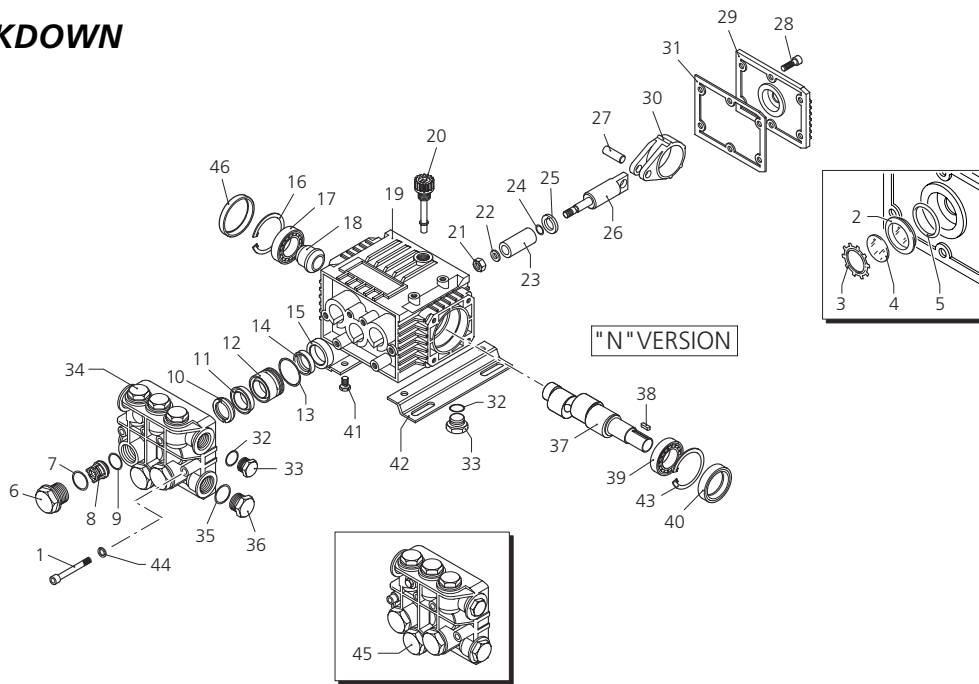
Torque Specifications Inch pounds (ft. lbs)

	HEAD	PISTON NUT	REAR COVER	SIDE COVER	VALVE CAP	CON RODS
PSI ≤ 1740	89 (7.5)	106 (8.8)	48 (4.0)	N/A	300 (25)	N/A
PSI ≥ 1740	137 (11)	106 (8.8)	48 (4.0)	N/A	300 (25)	N/A

SPECIAL NOTE: Use AR64516 Oil. First change oil after 50 hours of use. Then every 500 hours. This oil is specially formulated to provide correct lubrication properties for our pumps. **No** other oil is factory approved for these pumps.



PARTS BREAKDOWN



Pos.	Code	Description	Qty.	Pos.	Code	Description	Qty.	Legend			
1	1322730	Screw	6	37	1322150	Crankshaft	○◆ 1	Ø 15	Ø 15	Ø 15	Ø 15
2	1260250	Oil indicator	1	37	1321790	Crankshaft	□▽ 1	For ○	For □	For ▽	For ◆
3	1260430	Snap ring	1	38	1380520	Key	1	XTV2G15	XTV2G18	XTV3G10	XTV3G16
4	1780690	Disc	1	39	1320370	Bearing	1		XTV2G20		XTV3G18
5	1140450	O-Ring	1	40	1260750	Seal	1		XTV2G22		XTV3G20
6	1260162	Plug	6	41	1260470	Screw	4				XTV3G22
6	1260161	Plug w 1/8" outlet	6	42	1263890	Base	2				
7	960160	O-Ring	6	43	1260790	Circlip	1				
8	1269050	Complete valve	6	44	1381550	Washer	6				
9	880830	O-Ring	6	45	1269261	Pump head assembly	○▽ 1				
10	1260140	Support ring	○▽ 3	45	1269209	Pump head assembly	□◆ 1				
10	1260141	Support ring	○▽ 3	46	1266740	Cap	1				
10	1520120	Support ring	□◆ 3								
11	1260130	Gasket	3								
12	1260151	Piston guide	3								
13	1260420	O-Ring	3								
14	1260440	Gasket	3								
15	1260460	Seal	3								
16	1260790	Circlip	1								
17	1320370	Bearing	1								
18	1320330	Bushing	1								
19	1320010	Pump housing	1								
20	880130	Oil plug	1								
21	1260110	Nut	3								
22	1260100	Washer	3								
23	1260120	Piston	3								
24	480480	O-Ring	3								
25	1260091	Spacer	3								
26	1260070	Guiding piston	3								
27	1260080	Piston pin	3								
28	1260760	Screw	6								
29	1329010	Complete cover	1								
30	1260060	Aluminum con rod	3								
30	1320140	Bronze con rod	3								
31	1260040	Gasket	1								
32	740290	O-Ring	2								
33	1980740	Plug 3/8" G Brass	2								
34	1262224	Pump head	○▽ 1								
34	1320023	Pump head	□◆ 1								
35	180101	O-Ring	1								
36	820361	Plug 1/2" G Brass	1								

Repair Kits

Water Seal Kit 2520		Pistons Kit 2628		Valve Kit 1864		Oil Seals Kit 1872	
Pos.	Qty.	Pos.	Qty.	Pos.	Qty.	Pos.	Qty.
10	3	21	3	8	6	15	3
11	3	22	3	9	6	31	1
13	3	23	3			40	1
14	3	24	3			46	1
		25	3				

Special Parts

Code	Description	Qty.
2815	Kit for up to 180° F Ø15 High Temp	1
2029	Viton water seals Ø15	1

